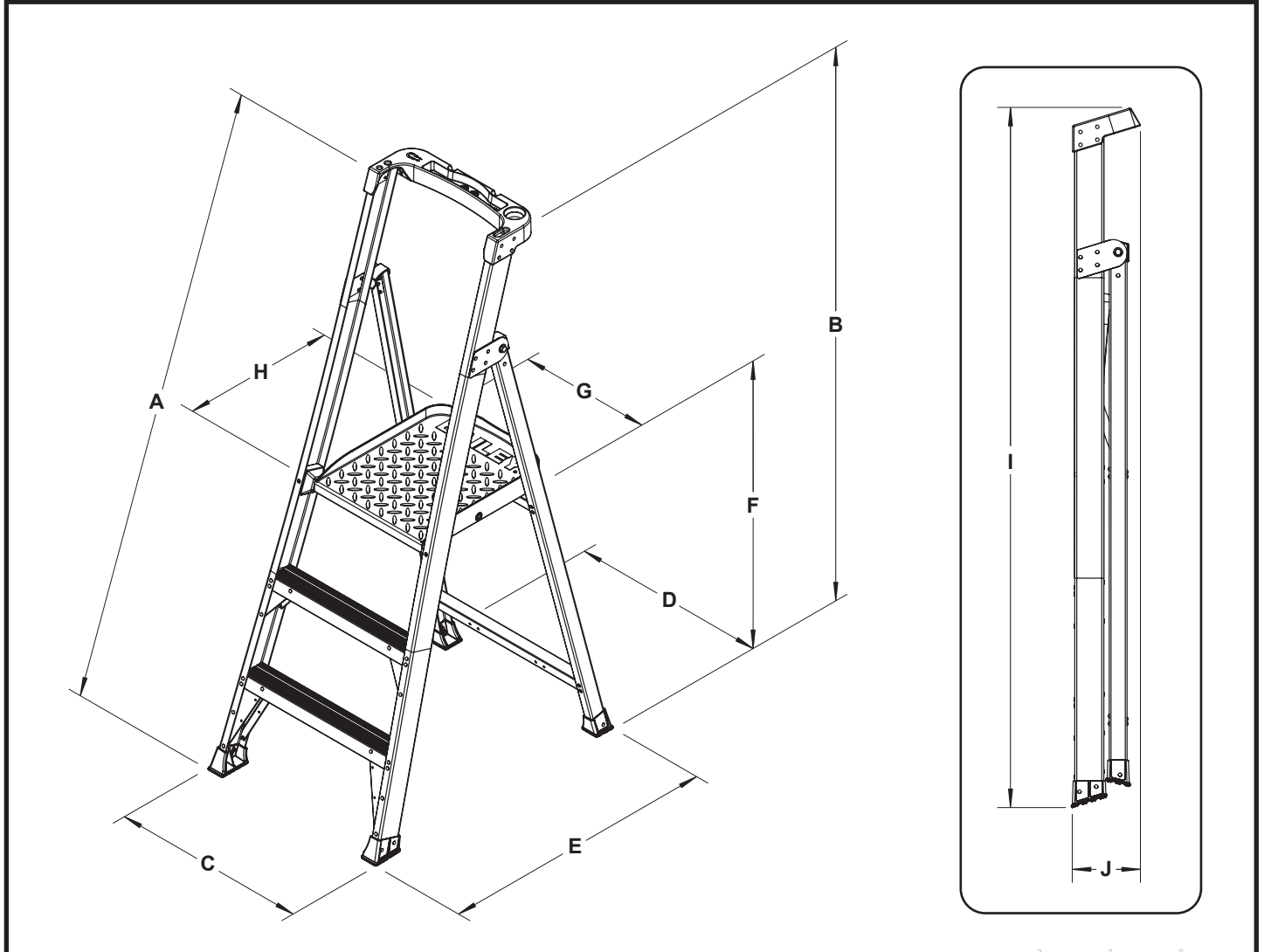


P150 ALUMINIUM PFS / 150KG



| PRODUCT CODE | PRODUCT DESCRIPTION | PRODUCT EAN | A(mm) | B(mm) | C(mm) | D(mm) | E(mm) | F(mm) | G(mm) | H(mm) |
|--------------|--------------------------------|---------------|-------|-------|--------|-------------------------------|-------|-------|-------|-------|
| FS13580 | HD AL P150 3 150KG IND RIVETED | 9312097059191 | 1902 | 1773 | 640 | 640 | 920 | 873 | 415 | 505 |
| FS13581 | HD AL P150 4 150KG IND RIVETED | 9312097059207 | 2206 | 2064 | 678 | 678 | 1076 | 1164 | 415 | 505 |
| FS13582 | HD AL P150 5 150KG IND RIVETED | 9312097059214 | 2510 | 2355 | 716 | 716 | 1231 | 1455 | 415 | 505 |
| FS13583 | HD AL P150 6 150KG IND RIVETED | 9312097059221 | 2814 | 2646 | 754 | 754 | 1388 | 1746 | 415 | 505 |
| PRODUCT CODE | PRODUCT DESCRIPTION | PRODUCT EAN | I(mm) | J(mm) | WT(kg) | PACKED Vol. (m ³) | | | | |
| FS13580 | HD AL P150 3 150KG IND RIVETED | 9312097059191 | 1902 | 160 | 11.0 | 0.195 | | | | |
| FS13581 | HD AL P150 4 150KG IND RIVETED | 9312097059207 | 2206 | 160 | 12.5 | 0.239 | | | | |
| FS13582 | HD AL P150 5 150KG IND RIVETED | 9312097059214 | 2510 | 160 | 13.9 | 0.288 | | | | |
| FS13583 | HD AL P150 6 150KG IND RIVETED | 9312097059221 | 2814 | 160 | 15.8 | 0.339 | | | | |